

# POD CATALOG

## 2.0



CAN  
om our work

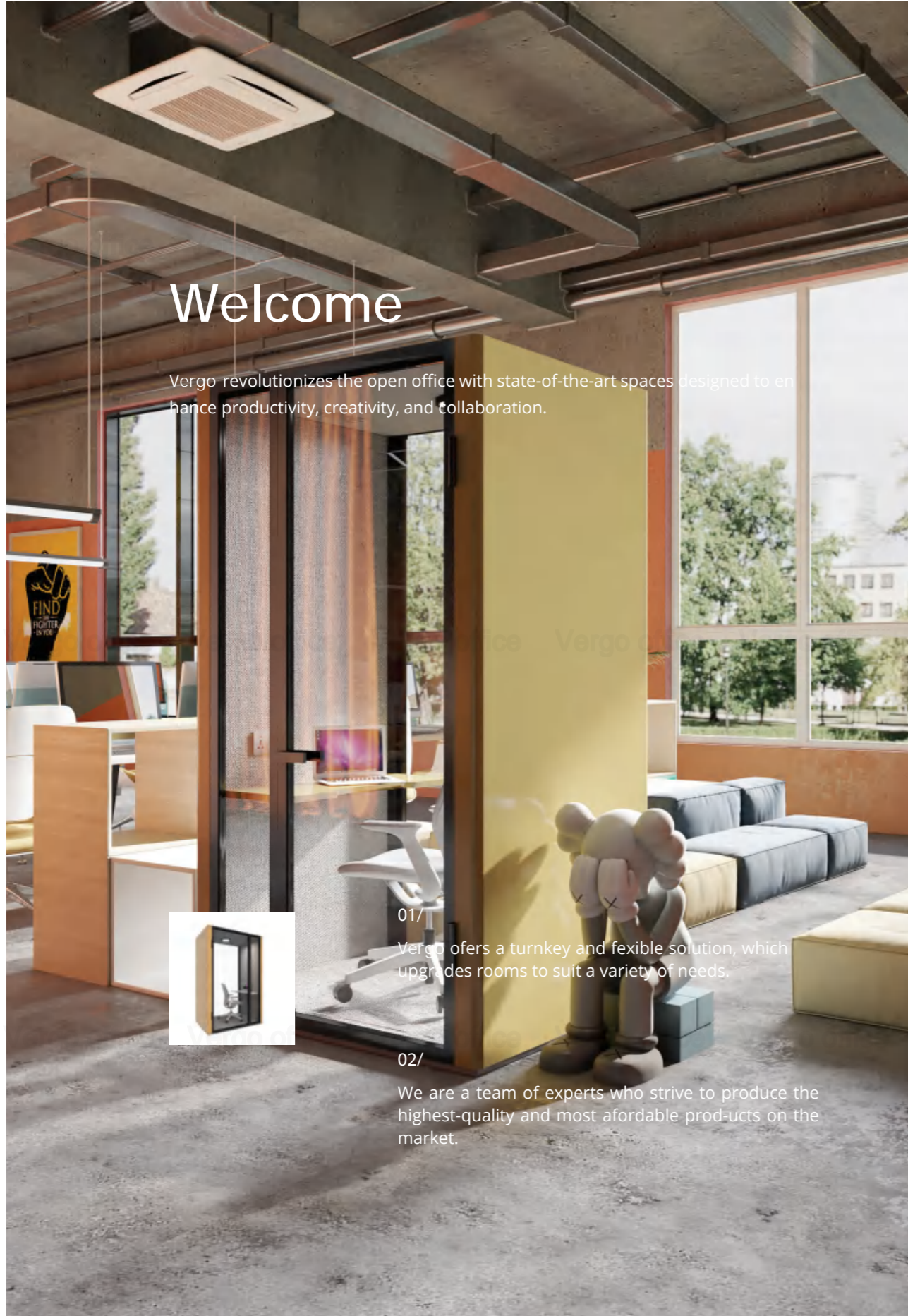
TURN  
sternal faith

time is money

MONEY

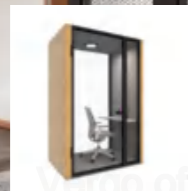
ice

money



# Welcome

Vergo revolutionizes the open office with state-of-the-art spaces designed to enhance productivity, creativity, and collaboration.



01/ Vergo offers a turnkey and flexible solution, which upgrades rooms to suit a variety of needs.

02/ We are a team of experts who strive to produce the highest-quality and most affordable products on the market.

## POD CATALOG 2023 Content

[www.vergofurniture.com](http://www.vergofurniture.com)



### Certification 04

MOVE pods are the only UL certified product in China(mainland).



### S pod 06

Suitable for one person to phone call.



### W pod 12

Suitable for one person to phone call, daily work.



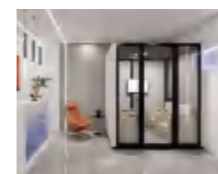
### M pod 18

Suitable for two to four person to brainstorm.



### L pod 24

Suitable for four to six person to meeting.



### Product Add-ons 34

VERGO provides customization service.

# Office Pod UL 962 certified

**UL / SGS / ISO**

UL Certification is an industry-recognized quality standard that acknowledges a product's safety and sustainability. The certification provides assurance to customers who purchase the product that it has undergone rigorous safety testing and conforms to safety standards. Additionally, the certification means that the product is environmentally friendly.

Vergo Office Pods obtaining these certifications and tests assures customers that the product is not only innovative and flexible, but also meets the highest safety, quality and environmental protection standards. This kind of guarantee is crucial, especially in today's business world, where cost, safety, and quality are mandatory requirements.



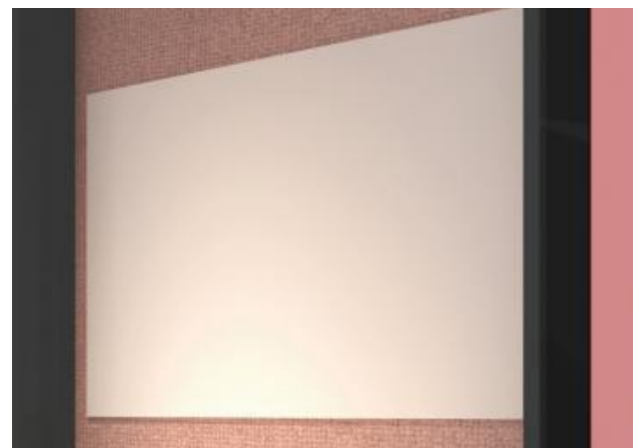
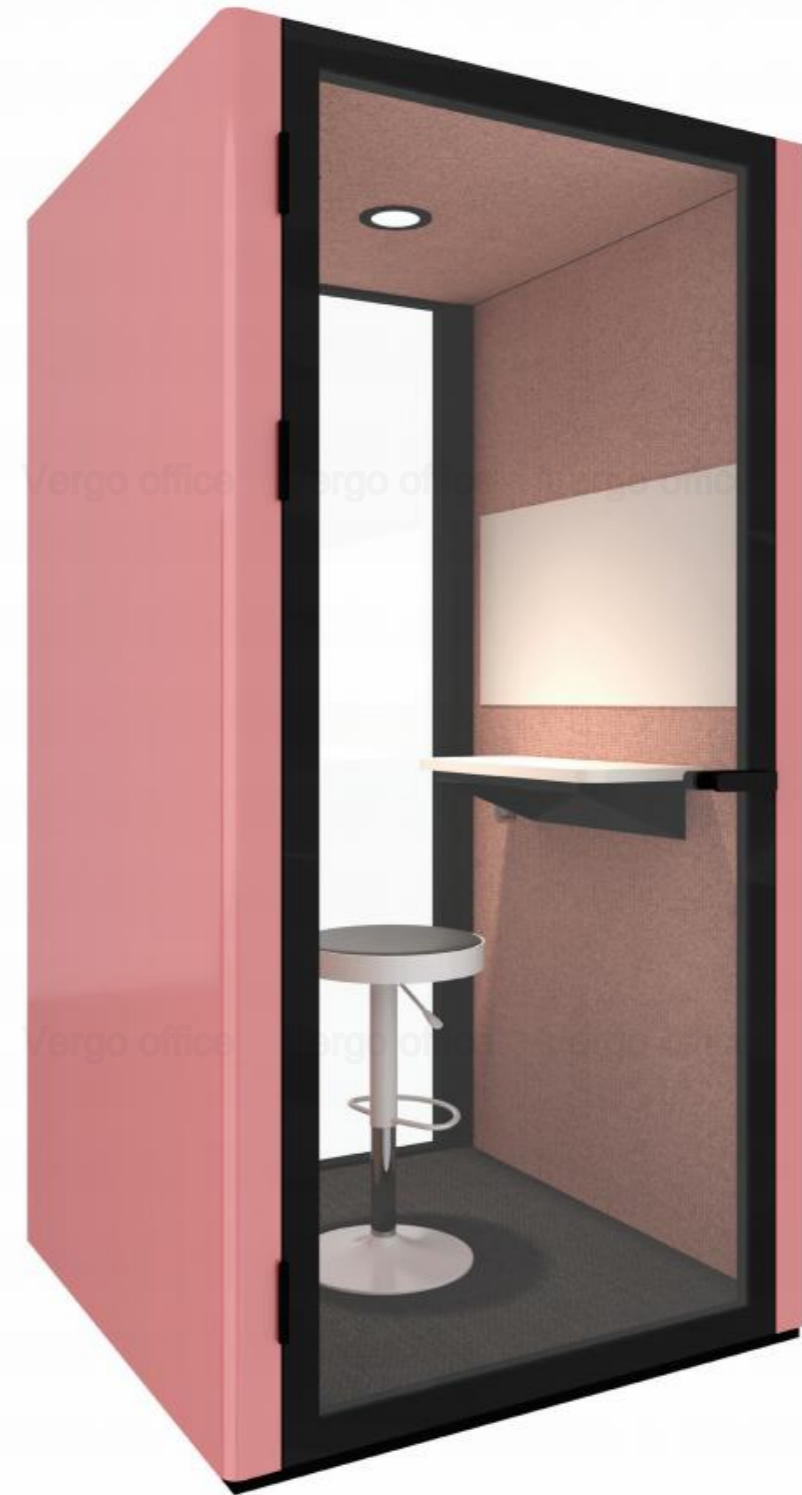
The benefits of Vergo Office Pods extend beyond safety and quality, too. The pods are designed to add both aesthetic appeal and flexibility to the office space while providing a calm and relaxed environment for work. They are sound-proof and equipped with multiple power outlets and air conditioning, making them a comfortable place to work alone or in groups.



# S POD 2.0

2023 NEW

S Pod is an ideal solution to the growing need for private and flexible workspaces in today's modern workplace. Whether for critical phone calls or video conferences, the S Pod offers a cost-effective and efficient way to ensure that conversations remain private and uninterrupted. With its simple, sleek design and flexible relocation options, the S Pod is an excellent addition to any office space.



02 /

### Magnetic Whiteboard

Magnetic whiteboards are handy tools that allow you to write important notes, appointments and ideas down and quickly erase them without leaving a mark. Available for all FlexSpace pod types.



03 /

### Adjustable switch

Top mounted LED light, switch updated to knob type, can adjust the brightness of the lamp.

01 /

### Color

Exterior color -RAL3015  
 Interior color -GP99  
 Carpet color -C13200



# S POD

## MATERIALS

**Exterior**  
Painted sheet metal

**Frames**  
Aluminum

**Carpet**  
Anti-static and stain resistance low loop pile carpet for the floor

**Walls and roof**  
A sandwich element of sheet metal, fire rated gypsum board , recycled acoustic foam and acoustic felt

**Glass**  
10mm safty glass with aluminum frame

**Door**  
Back painted 6mm tempered glass with alu frame



## MEASUREMENTS

**Exterior**  
1030mm\*1030mm\*2200mm (width, depth, height)

**Interior**  
906mm\*906mm\*2170mm (width, depth, height)

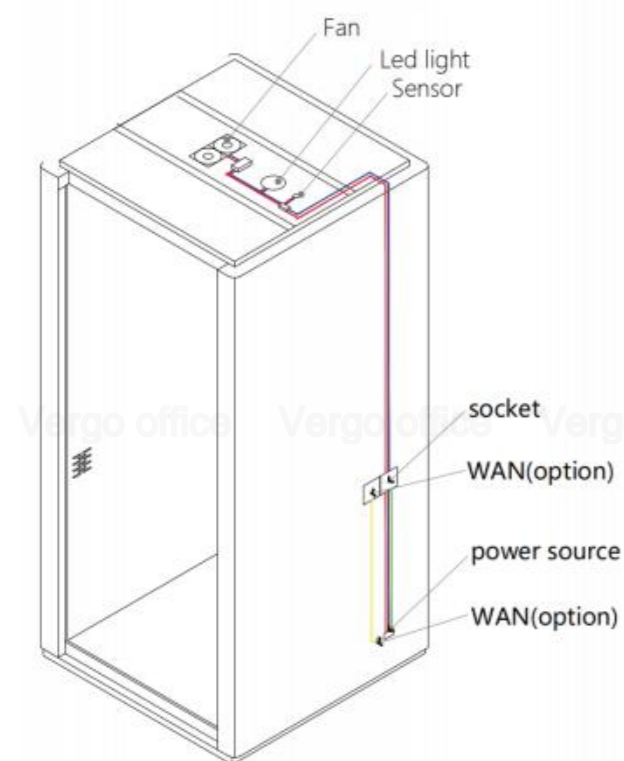
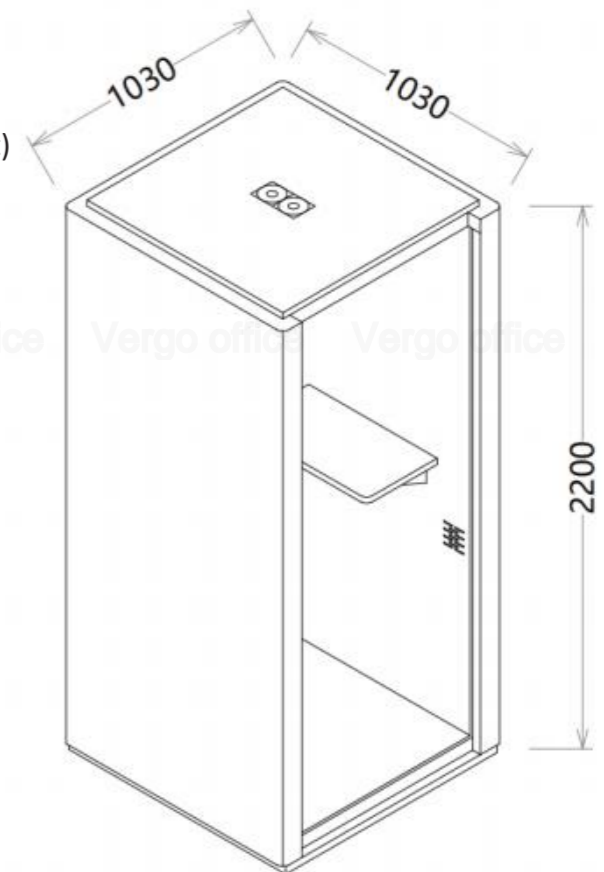
**Doorway**  
840mm width

**Regular table**  
300mm\*600mm\*16mm (width,length,thickness)

**Weight**  
395kg

**Package size**  
1.45CBM  
2250mm\*1060mm\*610mm (length, width, height)

**Container loading qty**  
15 sets/20GP containe, 33 sets/40GP container, 44 sets/40HQ container



## POWER

**Power consumption**  
9.6W while in use (Standard cfnfiguration)  
- LED light: 4W  
- Fans (2 pcs) in total: 6W  
3 meter wire

**Table outlets**  
Power socket (Universal, country-specifc), USB  
Optional: LAN, type C

**Ventilation**  
Total air fow is 154.91m<sup>3</sup>/h, air replaced every 0.85 min.

**Lighting**  
Inductive LED light: 4000K

## COLOR

Exterior Standard color	Interior color	Desktop color	Carpet color
White	GP-18 (standard)	White (standard)	Grey (standard)
Black	GP-99	Black	Grey+Blue
RAL3015	GP-03	Wood-grain	
Wood-grain			

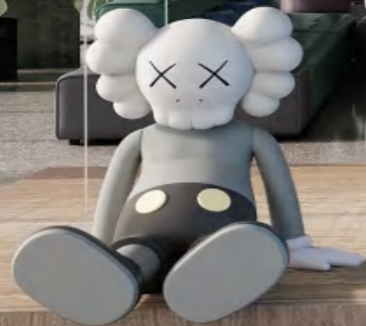
**Exterior color can be customized as per RAL**



HERE WE CAN  
draw inspiration from our work

HERE WE TURN  
learning into an eternal faith

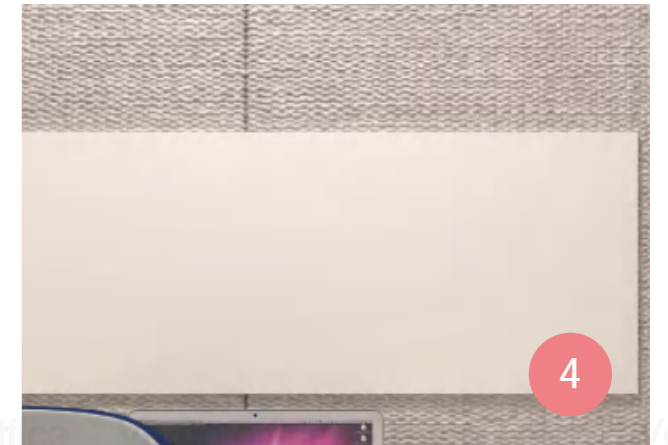
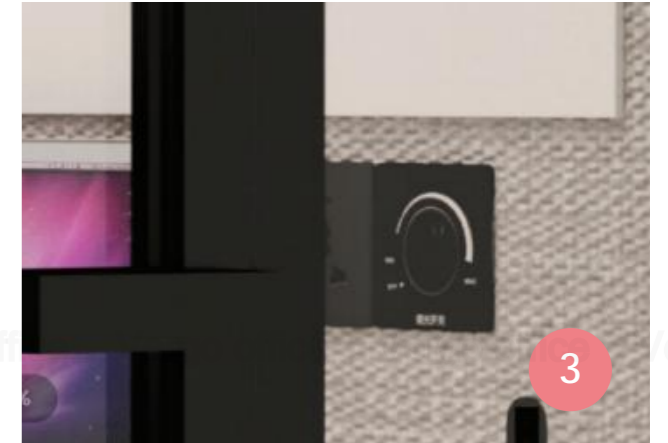
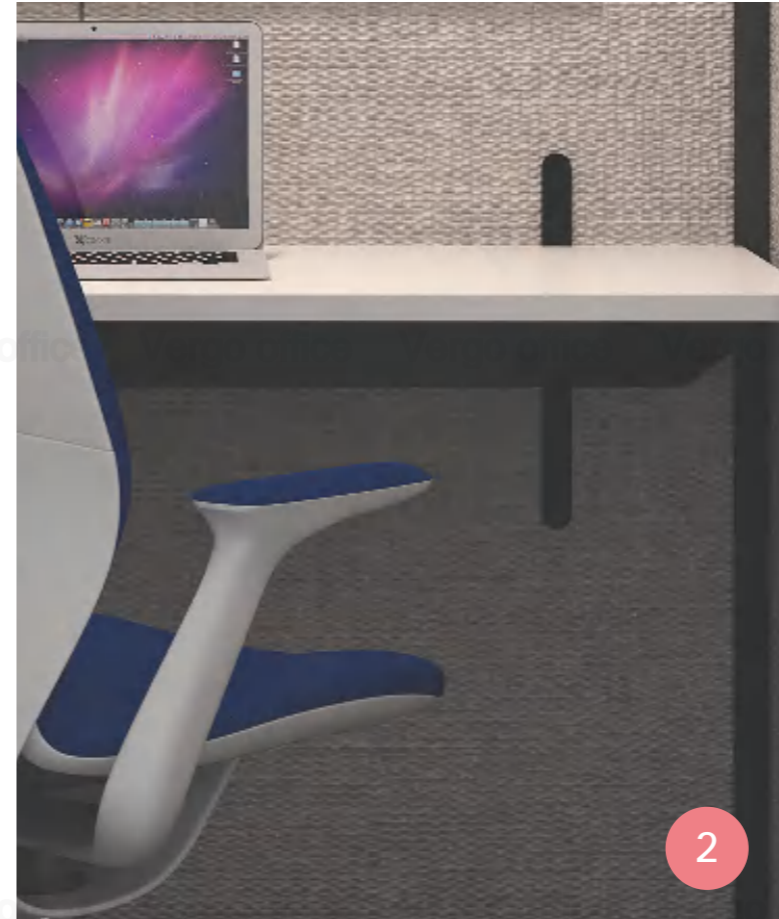
time is money



# W POD 2.0

2023 NEW

Work pod is a multifunctional, soundproof space for 1 person to work, study in private without disturbing office and the office disturbing you.



### 1. Color

Exterior color -RAL5012  
 Interior color -GP07  
 Carpet color -C13200



### 2. Height-adjustable desk

Height-adjustable desks allow users to easily switch between sitting and standing positions while working, improving posture, increasing productivity. They can also accommodate users of different heights and preferences.

### 3. Adjustable switch

Top mounted LED light, switch updated to knob type, can adjust the brightness of the lamp.

### 4. Magnetic Whiteboard

Magnetic whiteboards are handy tools that allow you to write important notes, appointments and ideas down and quickly erase them without leaving a mark. Available for all Vergo pod types.



# W POD

## MATERIALS

### Exterior

Painted sheet metal

### Frames

Aluminum

### Carpet

Anti-static and stain resistance low loop pile carpet for the floor

### Walls and roof

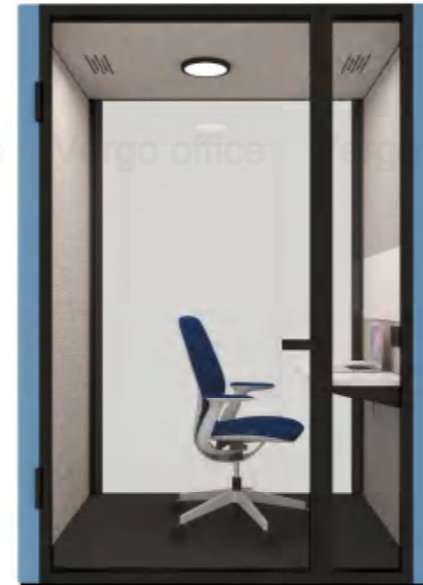
A sandwich element of sheet metal, fire rated gypsum board, recycled acoustic foam and acoustic felt

### Glass

10mm safty glass with aluminum frame

### Door

Back painted 6mm tempered glass with alu frame



## MEASUREMENTS

### Exterior

1615mm\*1200mm\*2275mm (width, depth, height)

### Interior

1493mm\*1076mm\*2170mm (width, depth, height)

### Doorway

840mm width

### Height-adjustable table

610mm\*1075mm\*25mm (width,length,thickness)

Speed:30mm/s

Height adjustable:500mm

### Weight

524kg

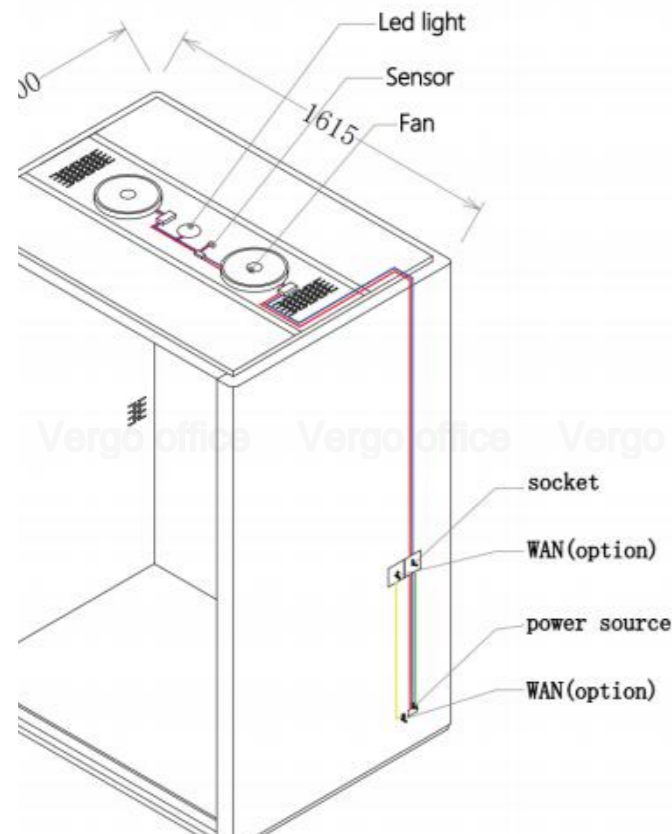
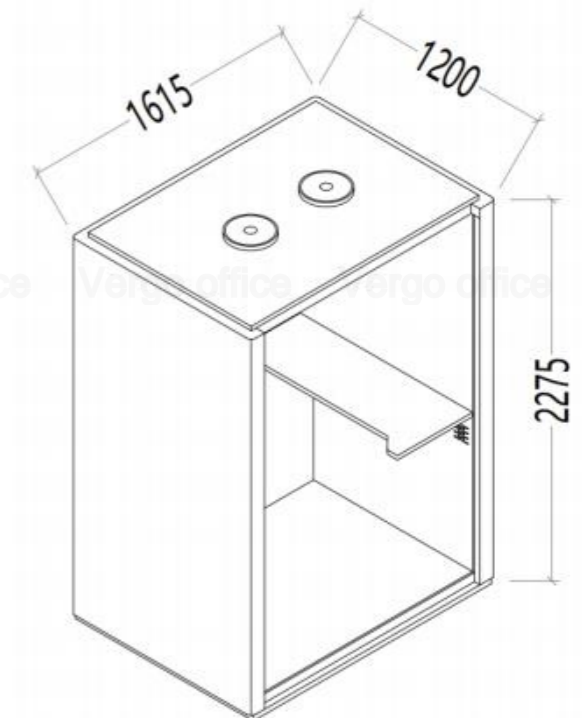
### Package size

2.09CBM

2250mm\*1240mm\*750mm (length, width, height)

### Container loading qty

12 sets/20GP, 27 sets/40GP, 27 sets/40HQ



## POWER

### Power consumption

27.6W while in use (Standard configuration)

- LED light: 4W

- Fans (2 pcs) in total: 6W

3 meter wire

### Table outlets

Power socket (Universal, country-specific), USB

Optional: LAN, type C

### Ventilation

Total air flow is 309.82m<sup>3</sup>/h, air replaced every 0.8min.

### Lighting

Inductive LED light: 4000K

## COLOR

### Exterior

#### Standard color



White



Black



RAL5012



Wood-grain

#### Interior color



GP-18  
(standard)



GP-07



GP-03

#### Desktop color



White  
(standard)



Black



Wood-grain

#### Carpet color



Grey  
(standard)



Grey+Blue

Exterior color can be customized as per RAL

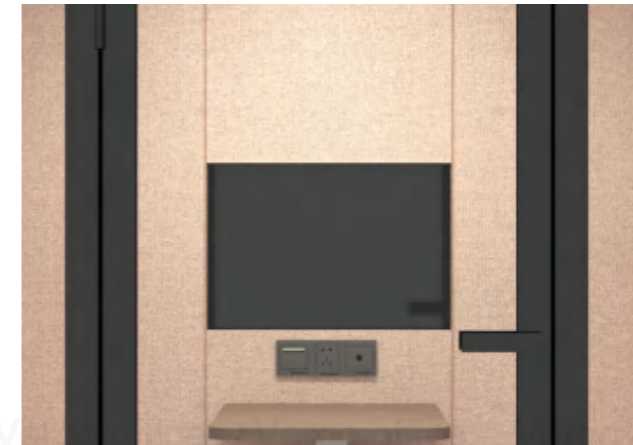




# M POD 2.0

2023 NEW

M pod meeting pod is designed for 2 to 4 person to have meeting, one to one conversation, brainstorm. The superior sound insulation and ventilation system ensure your talks in private and stay comfortable.



02 /

## electronic display

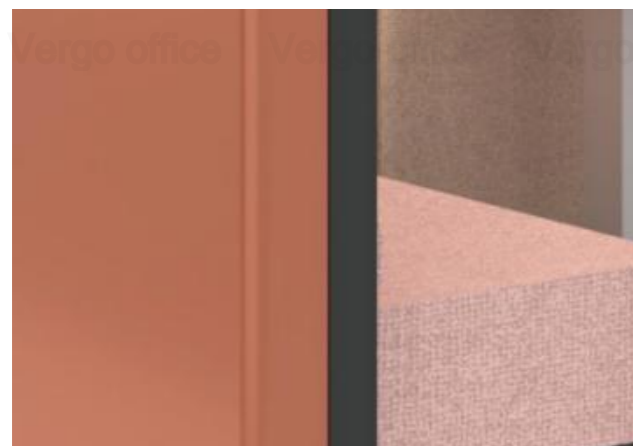
Installing electronic displays can improve communication, enhance collaboration, increase engagement, provide better access to information, and create a more professional appearance.



03 /

## LED lamp

Increase LED lights, not only improve the brightness of the space, but also more beautiful, the whole space is more harmonious.



01 /

## Color

Exterior color -RAL3012  
 Interior color -GP97  
 Carpet color -C13200  
 Sofa color -SF1319



04 /

## Adjustable switch

Top mounted LED light, switch updated to knob type, can adjust the brightness of the lamp.

# M POD

## MATERIALS

### Exterior

Painted sheet metal

### Frames

Aluminum

### Carpet

Anti-static and stain resistance low loop pile carpet for the floor

### Walls and roof

A sandwich element of sheet metal, fire rated gypsum board, recycled acoustic foam and acoustic felt

### Glass

10mm safty glass with aluminum frame

### Door

Back painted 6mm tempered glass with alu frame



## MEASUREMENTS

### Exterior

2200mm\*1200mm\*2200mm (width, depth, height)

### Interior

2078mm\*1078mm\*2170mm (width, depth, height)

### Doorway

840mm width

### Regular table

500mm\*700mm\*25mm (width,length,thickness)

### Weight

660kg

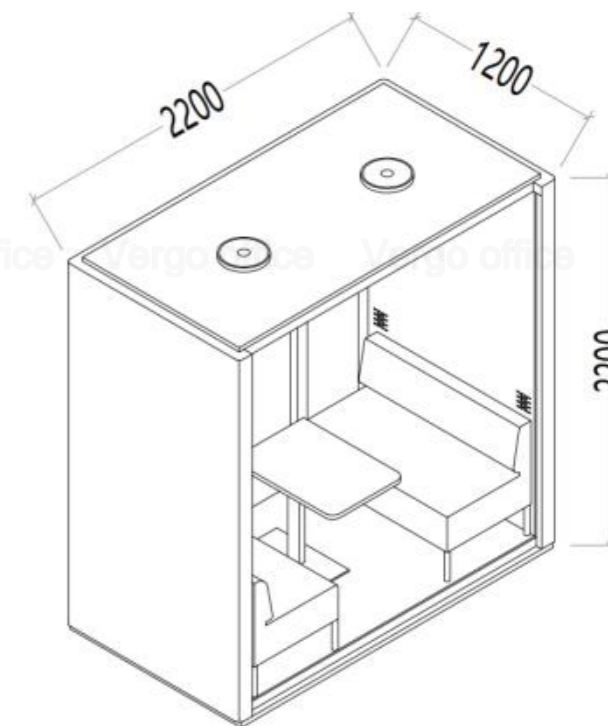
### Package size

2.29CBM

2260mm\*1250mm\*810mm (length, width, height)

### Container loading qty

8 sets/20GP, 18 sets/40G, 27 sets/40HQ



## POWER

### Power consumption

27.6W while in use (Standard configuration)

- LED light: 6W

- Fans (2 pcs) in total: 12W

3 meter wire

### Table outlets

Power socket (Universal, country-specific), USB

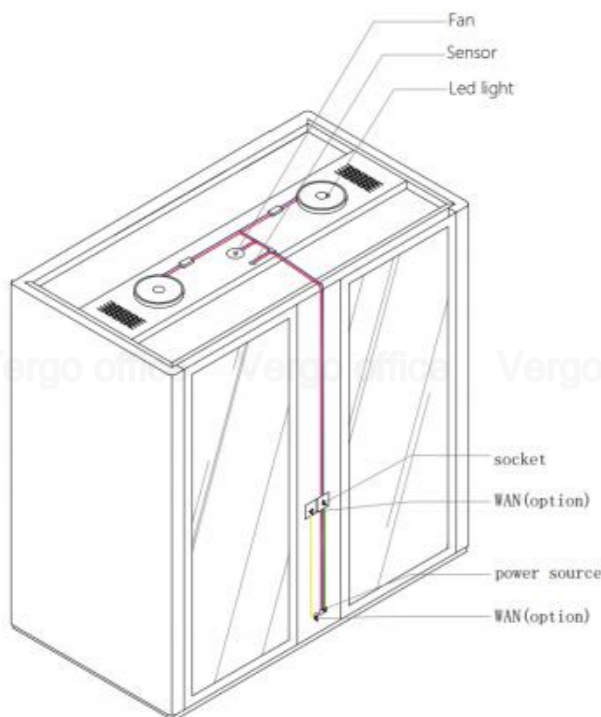
Optional: LAN, type C

### Ventilation

Total air flow is 309.82m<sup>3</sup>/h; Air Replaced every 1.12 minute.

### Lighting

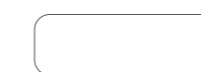
Inductive LED light: 4000K



## COLOR

### Exterior

Standard color



White



Black



RAL3012



Wood-grain

Interior color



GP-18 (standard)



GP-97



GP-03

Desktop color



White (standard)



Black



Wood-grain

Carpet color



Grey (standard)



Grey+Blue

Exterior color can be customized as per RAL





# L POD 2.0

2023 NEW

L pod meeting pod allows 4 to 6 person to have group talk, brainstorm in private. Providing a comfortable meeting environment for people.



02 /

## electronic display

Installing electronic displays can improve communication, enhance collaboration, increase engagement, provide better access to information, and create a more professional appearance.



03 /

## LED lamp

Increase LED lights, not only improve the brightness of the space, but also more beautiful, the whole space is more harmonious.



01 /

## Color

Exterior color	-RAL7003
Interior color	-GP07
Carpet color	-C13200
Sofa color	-SF1307



04 /

## Adjustable switch

Top mounted LED light, switch updated to knob type, can adjust the brightness of the lamp.

# L POD

## MATERIALS

### Exterior

Painted sheet metal

### Frames

Aluminum

### Carpet

Anti-static and stain resistance low loop pile carpet for the floor

### Walls and roof

A sandwich element of sheet metal, fire rated gypsum board, recycled acoustic foam and acoustic felt

### Glass

10mm safty glass with aluminum frame

### Door

Back painted 6mm tempered glass with alu frame



## MEASUREMENTS

### Exterior

2200mm\*1500mm\*2200mm (width, depth, height)

### Interior

2078mm\*1376mm\*2170mm (width, depth, height)

### Doorway

840mm width

### Regular table

500mm\*1000mm\*25mm (width,length,thickness)

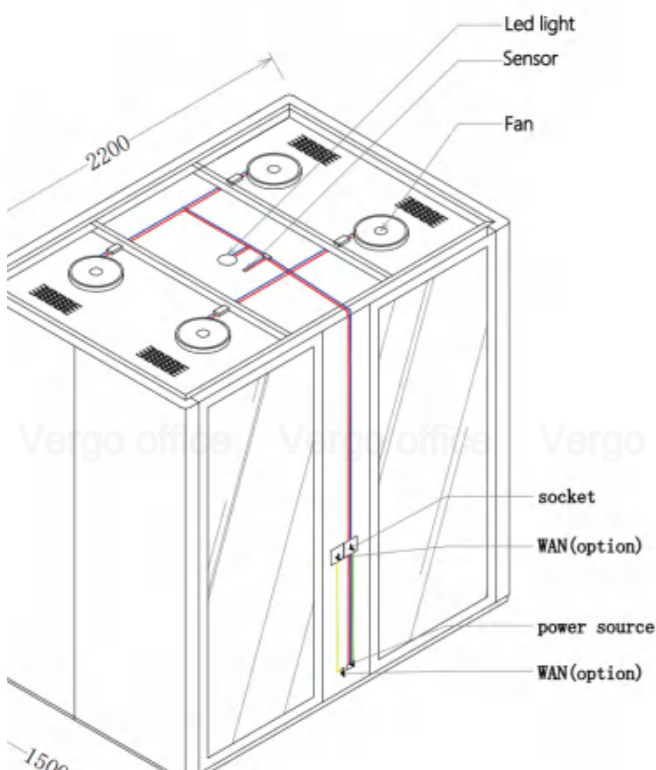
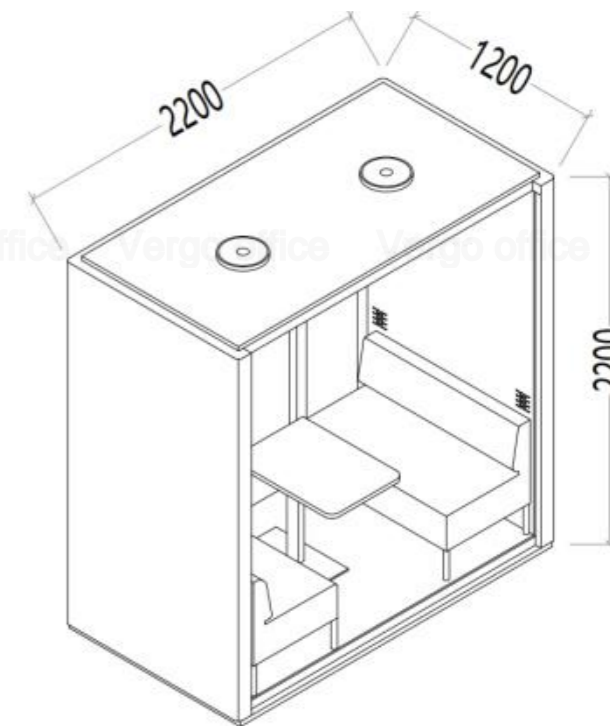
### Weight

748kg

### Package size

2.39CBM

2250mm\*1030mm\*1030mm (length, width, height)



## POWER

### Power consumption

47.6 W while in use (Standard configuration)

- LED light: 6W
  - Fans (4 pcs) in total: 24W
- 3 meter wire

### Table outlets

Power socket (Universal, country-specific), USB  
Optional: LAN, type C

### Ventilation

Total air flow is 619.64m<sup>3</sup>/h; Air Replaced every 0.72 minute.

### Lighting

Inductive LED light: 4000K

## COLOR

### Exterior

#### Standard color



White



Black



RAL7003



Wood-grain

#### Interior color



GP-18 (standard)



GP-07



GP-03

#### Desktop color



White (standard)



Black



Wood-grain

#### Carpet color



Grey (standard)



Grey+Blue

Exterior color can be customized as per RAL

# S POD

# M/L POD

1.0







# W POD

1.0



# PRODUCT ADD-ONS



## SMART POD

Vergo's Customization Service provides an enhanced user experience, including customize color, size, electrics, hardwares, etc. We also accept to add logo film on the glass door or side wall of pod to make your company own pod.

Integrated with touch screen display, EM lock and intelligent system, the pod can booked by apps on the phone. Available for Vergo work pod and meeting pod.

## Hidden socket

Hidden sockets are inherently safer, and can add a clean, minimalistic look to a space, free of cluttered cords and wires. free up wall space and desktops, allowing for more creative decorating or office solutions.



## WIRELESS CHARGER

Intergate on the pod desktop, you only need to gently lean the phone on the charger, and the current will be continuously charged into the phone. Available for all FlexSpace pod series.



**WEB**  
[www.vergofurniture.com](http://www.vergofurniture.com)  
[sales@vergodesign.com](mailto:sales@vergodesign.com)

**ID** OFFICE POD 2.0  
CATALOG